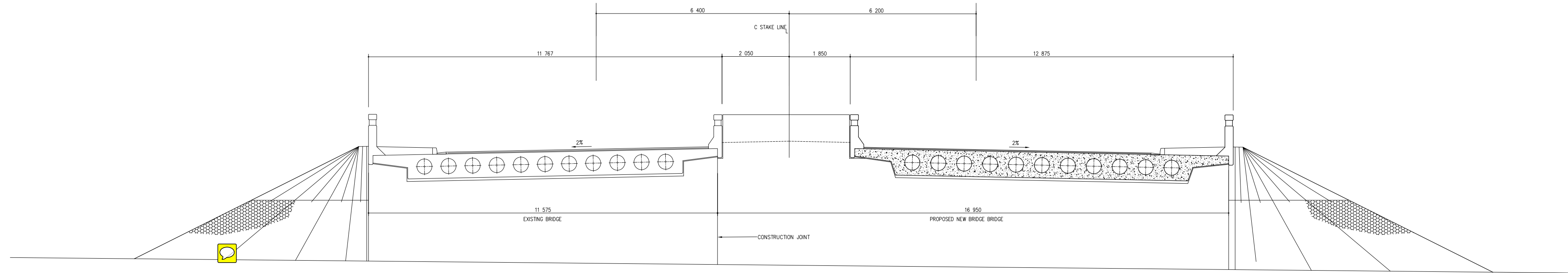
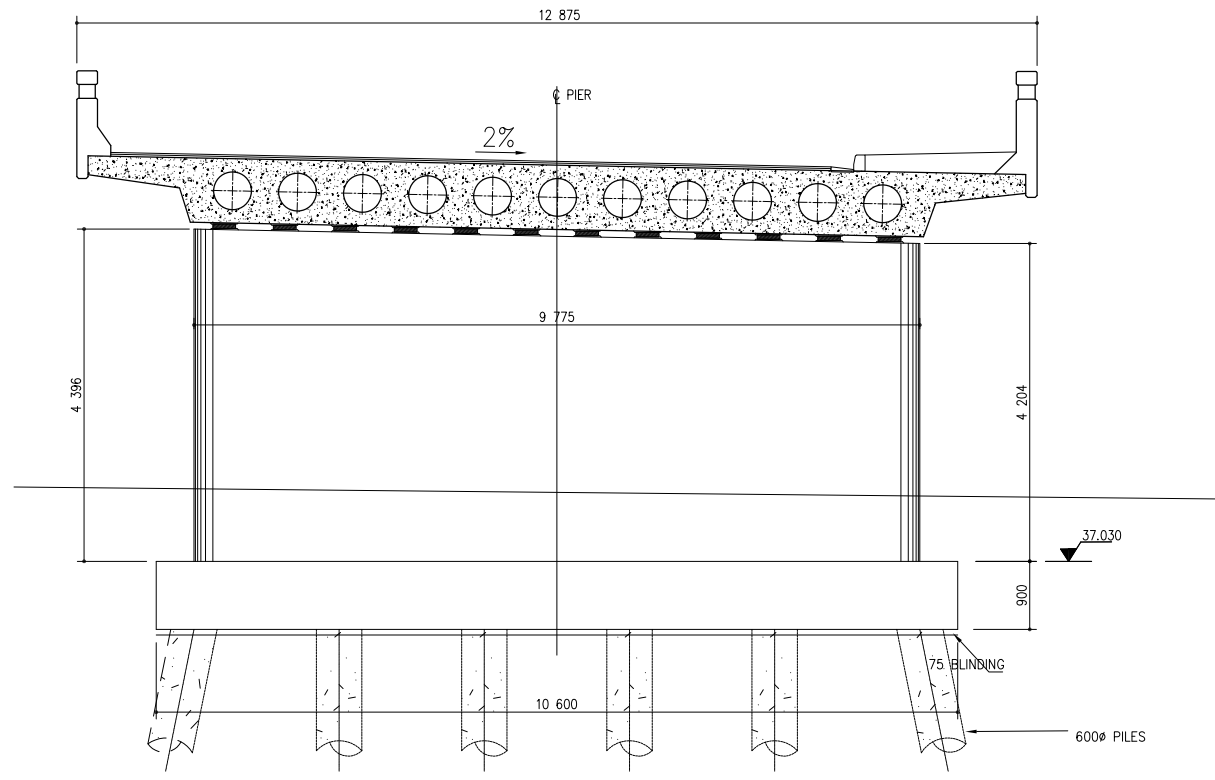


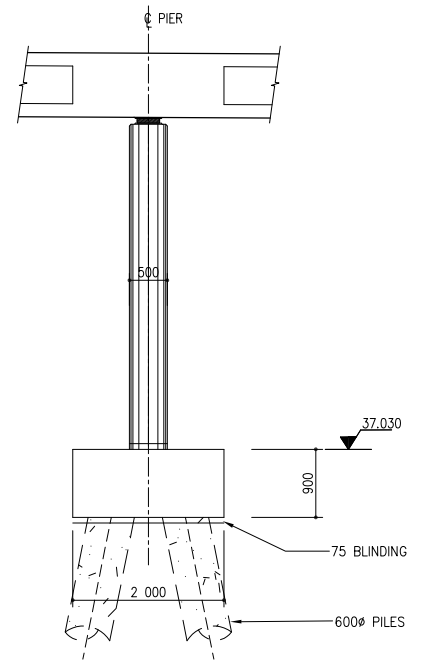
SOUTH ELEVATION  
SCALE 1:100



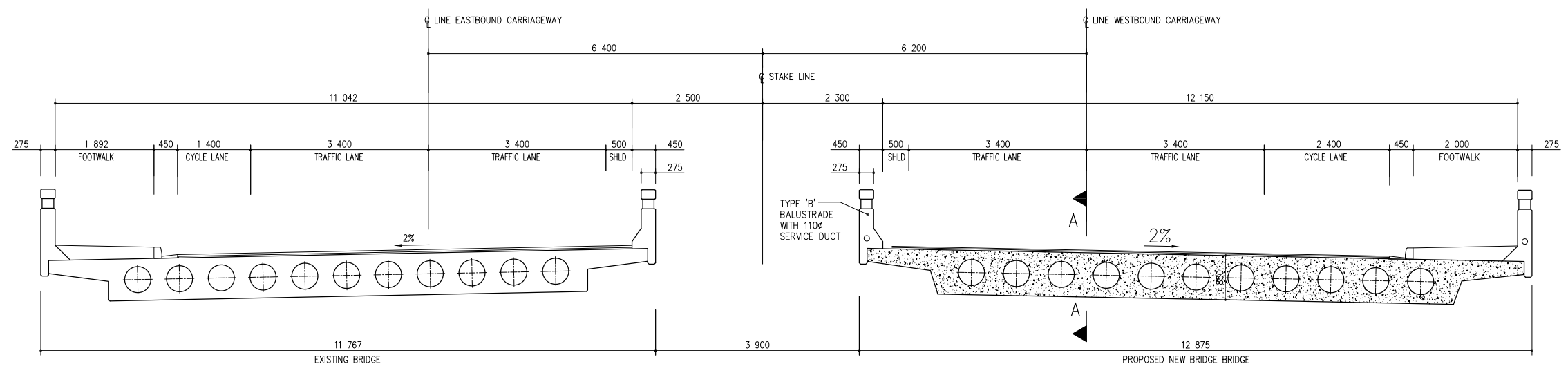
FRONT ELEVATION ON EAST ABUTMENT  
SCALE 1:50



TYPICAL PIER ELEVATION  
SCALE 1:50



SECTION B-B  
SCALE 1:50



SECTION B-B  
SCALE 1:50