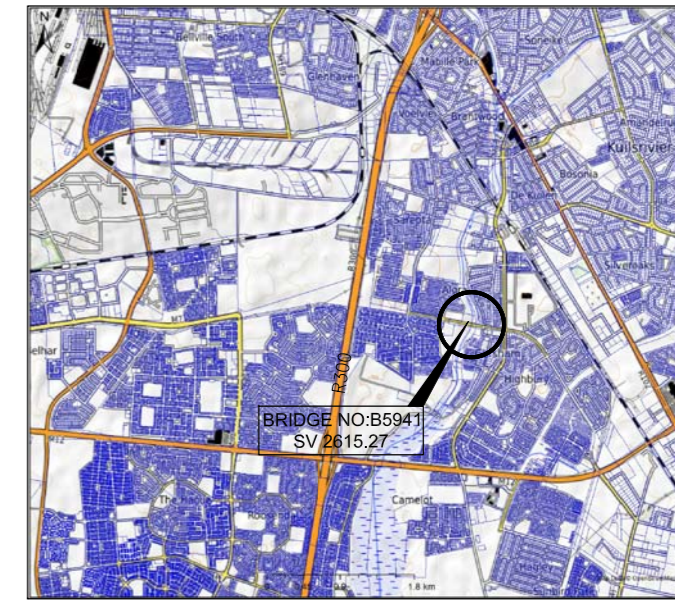
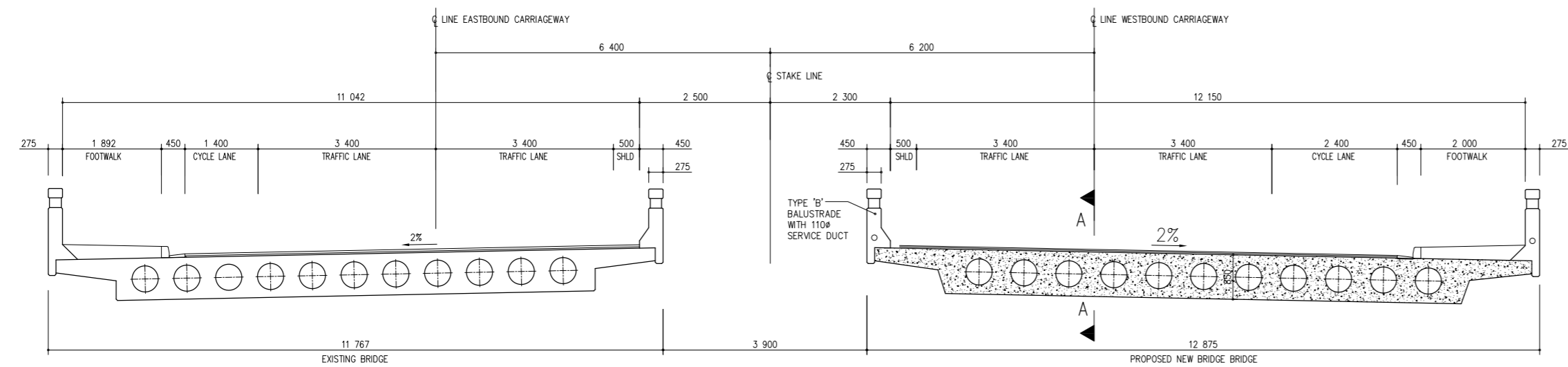


LAYOUT PLAN
SCALE 1 : 500

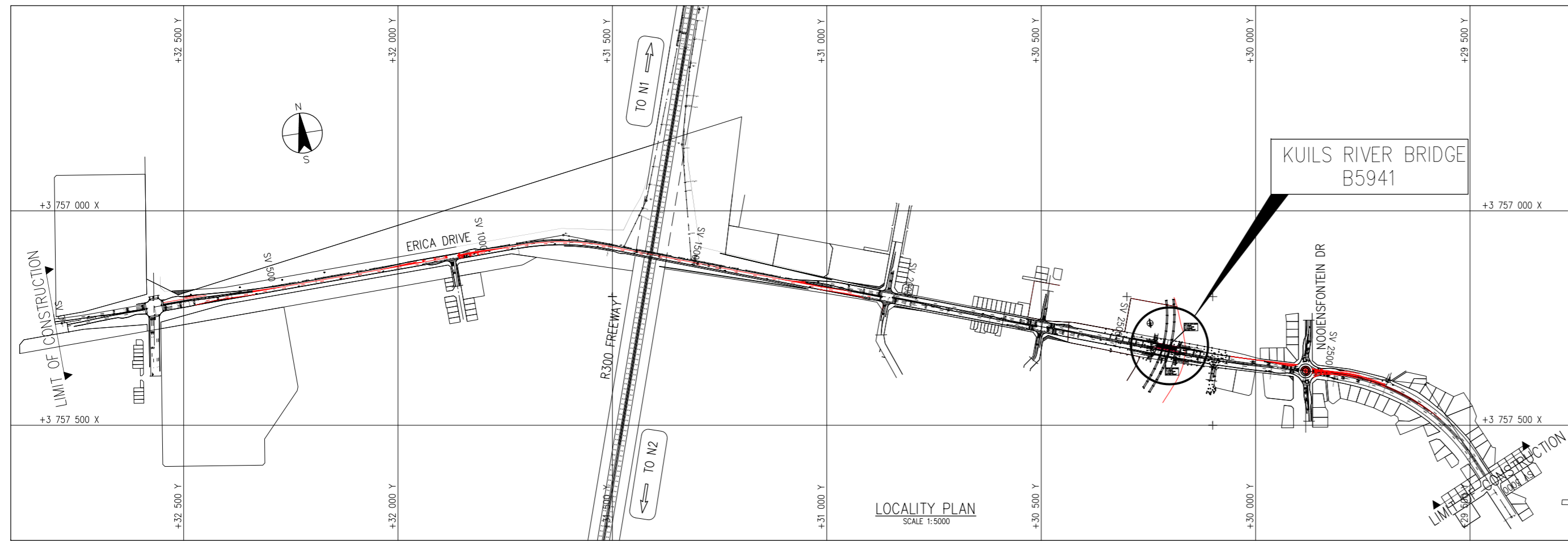


KEY PLAN
SCALE 1 : 50000



PROPOSED DUAL CARRIAGEWAY CROSS SECTION
SCALE 1:50

CONTROL CO-ORDINATES WGS 84 (Lo 19')				
POINTS	X	X	ELEVATION (MSL)	DESCRIPTION
49 DC18	32 563.60	3 757 512.49	59.589	TOWN SURVEY MARK
51 DC18	32 879.89	3 757 269.62	59.115	TOWN SURVEY MARK
AP1	32 602.84	3 757 216.69	60.382	12mm RIP IN KERB
110 DC19	31 840.41	3 757 296.73	55.592	TOWN SURVEY MARK
AP2	31 163.77	3 757 042.28	49.084	HOLE IN CONCRETE
AP3	30 848.60	3 757 213.88	47.408	HOLE IN CONCRETE
TSM1	30 875.54	3 757 297.33	46.670	TOWN SURVEY MARK
MP1	30 488.39	3 757 248.60	44.076	HOLE IN CONCRETE
1230C19	29 879.90	3 757 374.56	43.601	TOWN SURVEY MARK
MP2	29 465.05	3 75 7599.58	48.361	HOLE IN CONCRETE
TSM1	29 469.23	3 757 651.42	47.813	TOWN SURVEY MARK



LOCALITY PLAN
SCALE 1:5000

SHEET NO	LIST OF PLANS	CONS. PLAN NO.
1	PRELIMINARY SITE PLAN	C013R5101
2	GENERAL ARRANGEMENT - EXISTING BRIDGE	C013R5110
3	PRELIMINARY GENERAL ARRANGEMENT - SHEET 1 OF 2	C013R5111
4	PRELIMINARY GENERAL ARRANGEMENT - SHEET 2 OF 2	C013R5112