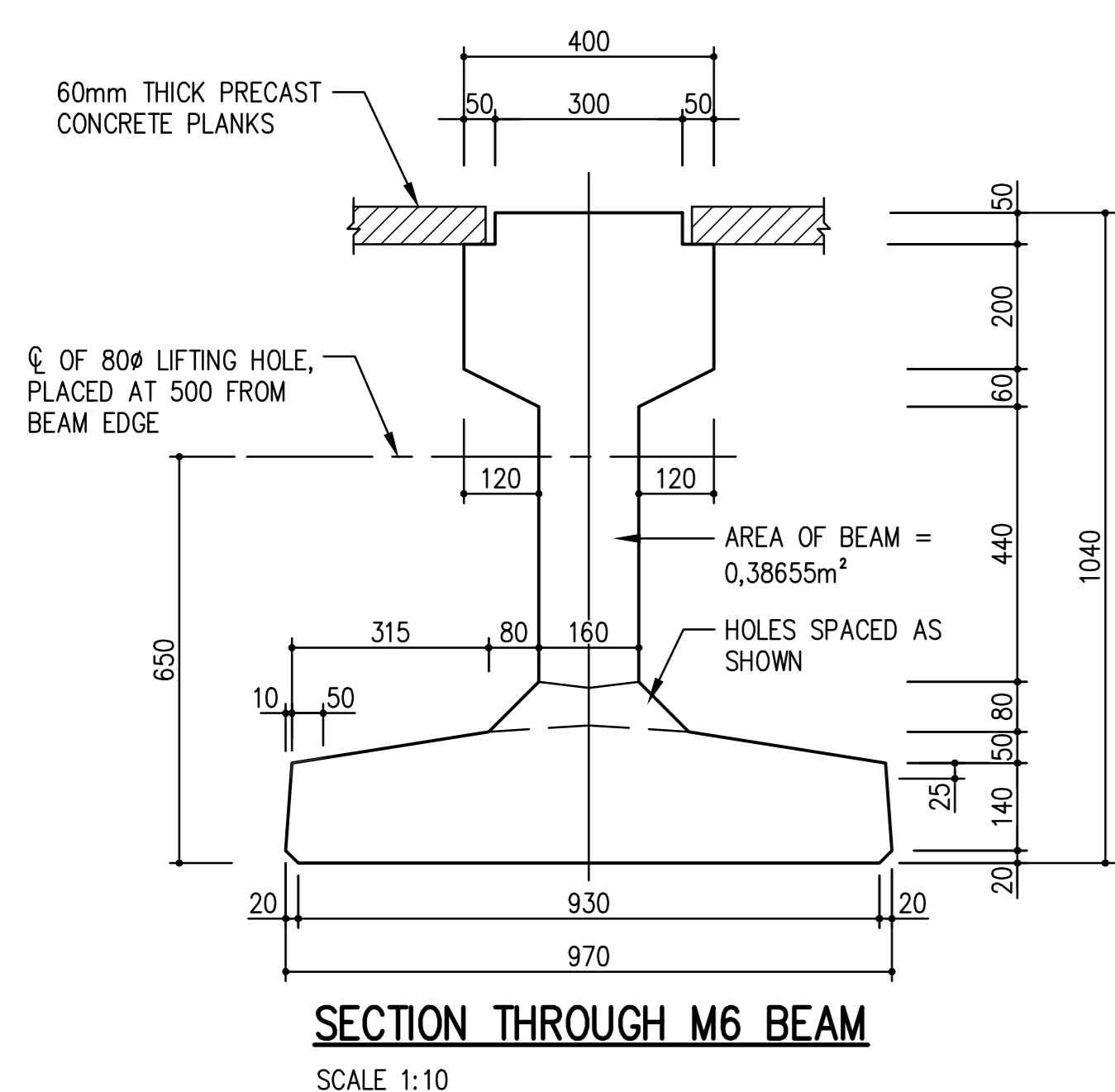
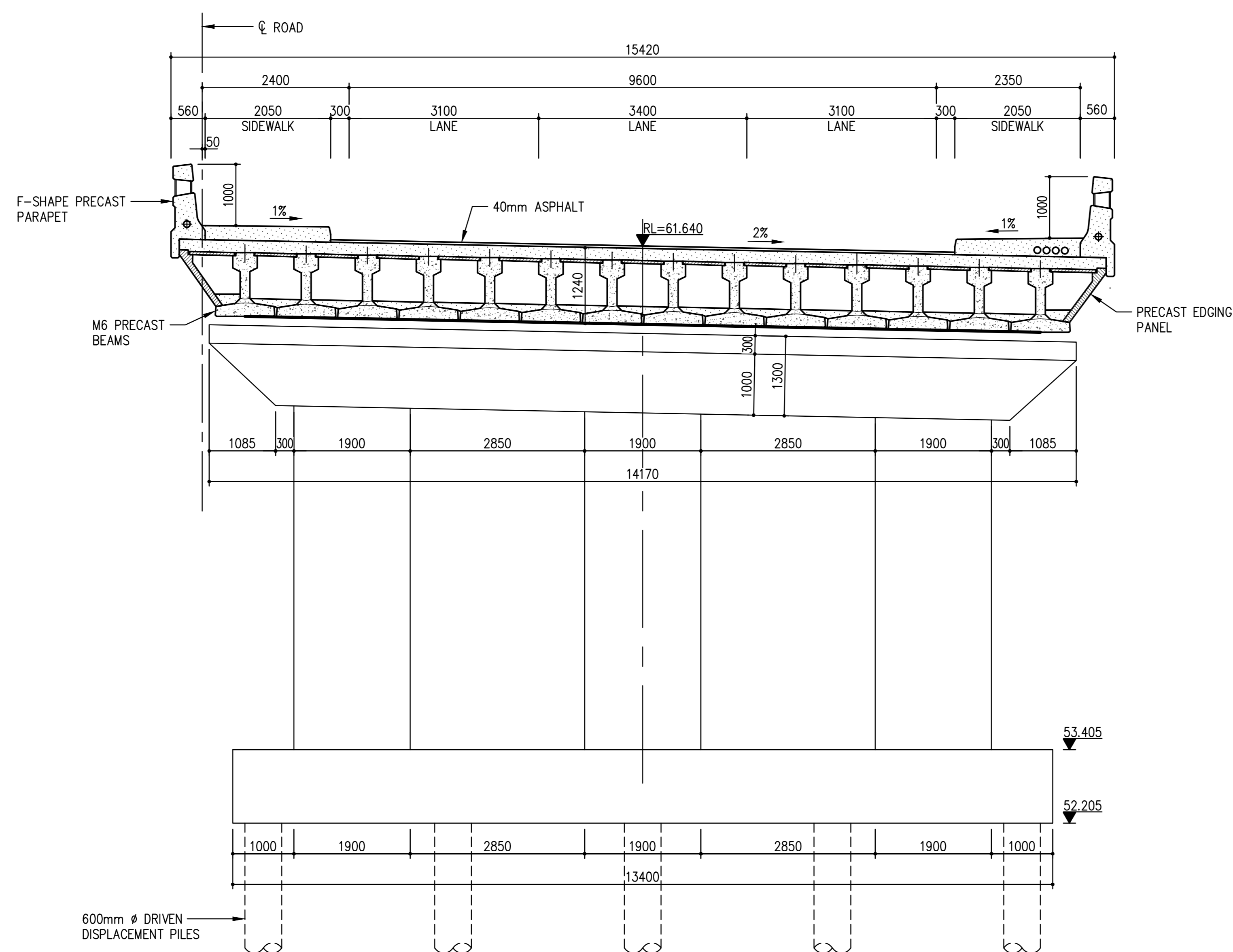


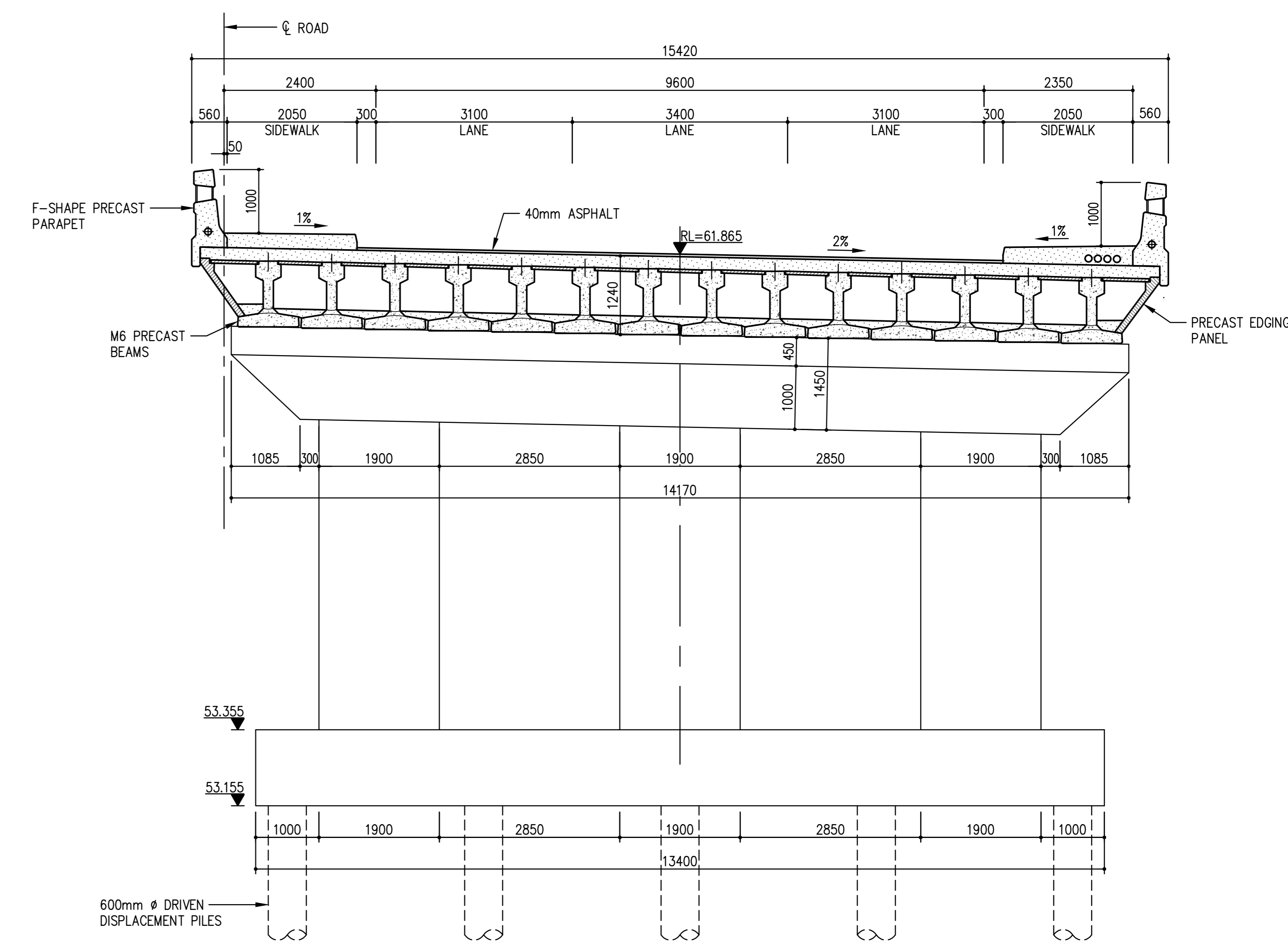
LONG SECTION OF BRIDGE
SCALE 1:200



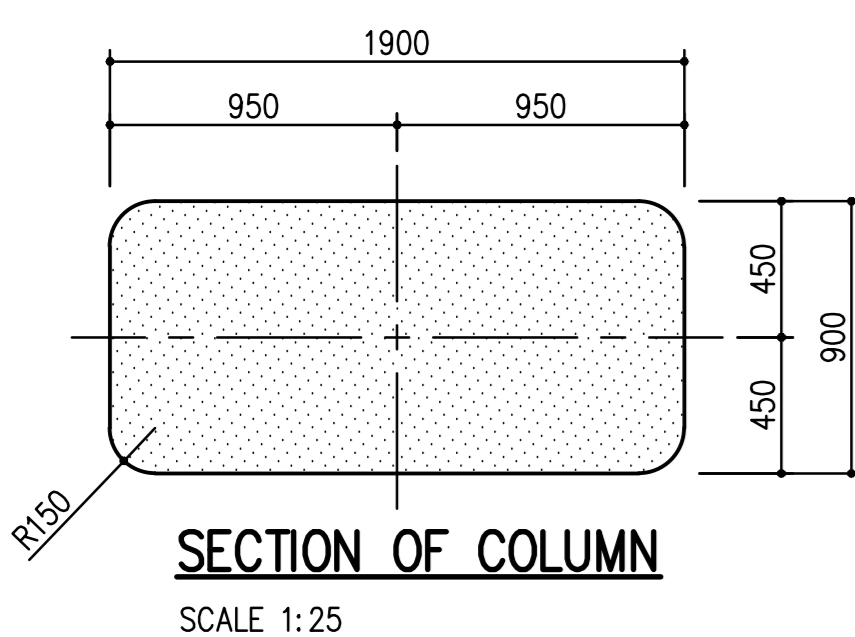
SECTION THROUGH M6 BEAM
SCALE 1:10



SECTION THROUGH BRIDGE (km 1372.3)
SCALE 1:50



SECTION THROUGH BRIDGE (km 1394.2)
SCALE 1:50



SECTION OF COLUMN
SCALE 1:25

CONSTRUCTION RECORD (AS-BUILT) WORKS CONTRACT ENGINEER Name: . . . Prof. Reg. No.: . . . Date: . . . SANRAL PROJECT MANAGER Name: . . . Prof. Reg. No.: . . . Date: . . .		CONSULTANT: 29 De Havilland Crescent Post Park, Building 1 Persimmon Technopark Pretoria 0020 Tel: (012) 349 1664 ghuiling@itsglobal.co.za www.itsglobal.co.za		BRIDGE ENGINEER: ARQ (PTY) LTD PO Box 76379 LYNNWOOD RIDGE 0040 RSA TEL: 012 348 6668 FAX: 012 348 6669		DESIGNED BY: NAME: RG MILLER Prof. Reg. No.: 840176 CHECKED BY: NAME: . . . Prof. Reg. No.: . . . DRAWN BY: NAME: G. COOMBE Date: 18/09/2018		CONSULTANT APPROVAL: NAME: RG MILLER Prof. Reg. No.: 840176 Date: 18/09/2018 BRIDGE ENGINEER: NAME: RG MILLER Prof. Reg. No.: 840176 Date: 18/09/2018		HEAD OFFICE: 48 Tambotie Avenue Val de Grace Pretoria 0184 PO Box 415 Pretoria 0001 South Africa Tel: (012) 844 8000		WESTERN REGION: 1 Havenga Street Oakdale Bellville 7530 Private Bag X19 Bellville 7535 Tel: (021) 957 4600		ACCEPTANCE: THIS ACCEPTANCE IS FOR PROCEDURAL AND ADMINISTRATIVE REVIEW PURPOSES ONLY AND DOES NOT ATTRACT LEGAL LIABILITY OR LIABILITY OF ANY KIND FROM WHATSOEVER CAUSE OR HOWEVER ARISING for the SA NATIONAL ROADS AGENCY (S.A.) Date: . . .		PROJECT DESCRIPTION: 3785.4 CITY OF CAPE TOWN EASTERN REGION ERICA DRIVE ACROSS THE R300 BETWEEN BELHARD DR AND HIGHBURY RD DRAWING DESCRIPTION: M71 ERICA DRIVE - PHASE 1 GENERAL ARRANGEMENT 2 - SECTIONS AND ELEVATIONS SCALE: AS SHOWN		PROJECT NUMBER: xxxxxxxx DRAWING LOCATION DATA: ROUTE: R300 R300 SECTION: xx xxx DRAWING km DISTANCE: 19.8 04.000 BRIDGE/STRUCTURE No.: . . . CONSULTANT DRAWING No.: Bxxxx-004 SANRAL DOC # . . .		START: R300 END: R300 STRUCTURES-BRIDGES Bxxxx-004 VER: V1	
--	--	---	--	--	--	---	--	--	--	---	--	---	--	--	--	--	--	--	--	--	--